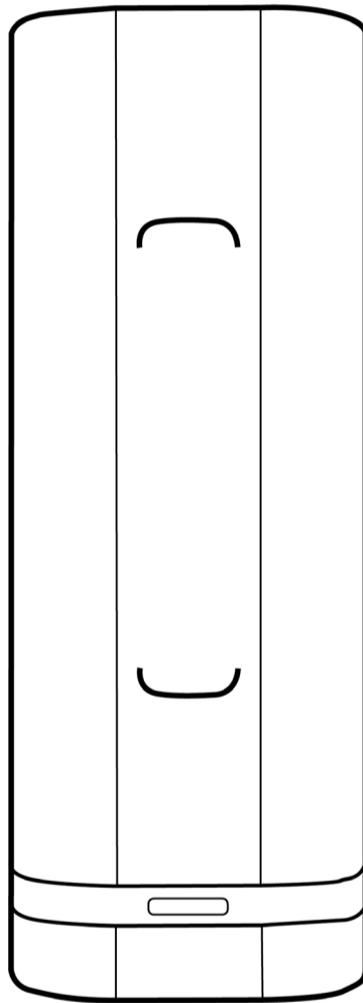




WITH
FLESHLIGHT®



onyx

User Manual

CONTENTS

Setup Guide	4
Overview	10
Product	11
Preparation	12
Charging	12
Using Onyx	13
Aftercare	14
Safety	15
Disposal	15
Specifications	15
Help	16
Disclaimer	16

Please read the user manual carefully.

Follow the step-by-step instructions in the setup guide below to get started.

This process should take no more than 10 minutes from start to finish.

If you need any assistance with your setup, please click [here](#).

SETUP GUIDE

1 Make an account
(See page 5)

2 Register your device
(See page 6)

3 Download the platform
(See page 7)

4 Power on KIIR00
(See page 8)

5 Connect with partner
(See page 9)

STEP 1



MORE

ABOUT

ACCOUNT



🛒 \$0.00 (0)

PREPARE TO SETUP

Remove your device, Micro USB cable and Authenticity Card from the box.

CHARGE YOUR DEVICE

Charge your device, using the Micro USB cable supplied.

MAKE AN ACCOUNT

To begin the setup process, go to kiiroo.com and select 'ACCOUNT' in the navigation menu, located in the top right of the screen.

Login to your kiiroo account, or make an account if you have not already done so.

If you have any problems with this step, click [here](#) for help.

Next Step

STEP 2

Register Device

Product*

Authenticity code*

Date of purchase*

I read and agree with the [Kiiroo Terms and Conditions](#)

REGISTER YOUR DEVICE

Once you are logged in, the next step will be to register your device. You will find this section on the left hand side of your account page.

AUTHENTICITY CODE

Refer to the 13-digit number on the reverse of the Authenticity Card for the code. Make sure you enter it correctly.

Next, tick the box to accept the [terms and conditions](#).

1 YEAR WARRANTY

Select the date of purchase and click the 'REGISTER' button to begin your 1 year warranty and proceed to download the platform.

Next Step

STEP 3



DOWNLOAD PLATFORM

After registering your device, the platform will be available to download. Select the 'DOWNLOAD' button to proceed. Check here again in the future to see information regarding the latest versions available.

OPERATING SYSTEM

On the download page, choose your operating system and select the 'DOWNLOAD' button. Save the file to your computer.

See if your operating system is compatible [here](#).

INSTALLATION

Open the downloaded file and follow the regular installation process for your operating system. Remember, Mac and Windows run different installation processes.

If you have problems with installation, click [here](#) for help.

Next Step

STEP 4



POWER ON

When your device is fully charged, first remove the Micro USB cable and replace the grip clip.

Then, power on by pressing the multifunctional button for 4 seconds. A solid red light will show and Bluetooth will be active.

BLUETOOTH

Turn on your computer's Bluetooth. A dongle can be used if your computer does not have in-built Bluetooth. You can purchase a dongle [here](#).

There is no need to pair your device, the platform does this automatically.

OPEN & RUN

Open the KIIRoo program. The platform will appear and search for your device. If it does not appear after 1 minute, click [here](#) for help.

Next Step

STEP 5

Join
connection

Invite
connection

Media
Center

HOME SCREEN

When your device is successfully paired, the home screen menu will show three options; Invite partner, Join partner and Media Center. If it does not appear, click [here](#) for help.

JOIN OR INVITE?

You have two options to choose from, to create a secure connection between you and your partner.

The INVITE button generates a unique, 6-digit code to send to your partner.

The JOIN button allows you to enter a unique, 6-digit code, received from your partner.

Send and receive the unique codes via any other **private** form of communication (SMS, apps, email, phone call etc.)

If the connection doesn't work, click [here](#) for help.

MEDIA CENTER

This option allows Onyx users to access a variety of other platforms for online pleasure, such as webcam sites and synchronised adult videos.

OVERVIEW

Onyx is the most advanced male masturbator for online pleasure, capable of keeping you and your partner connected over any distance.

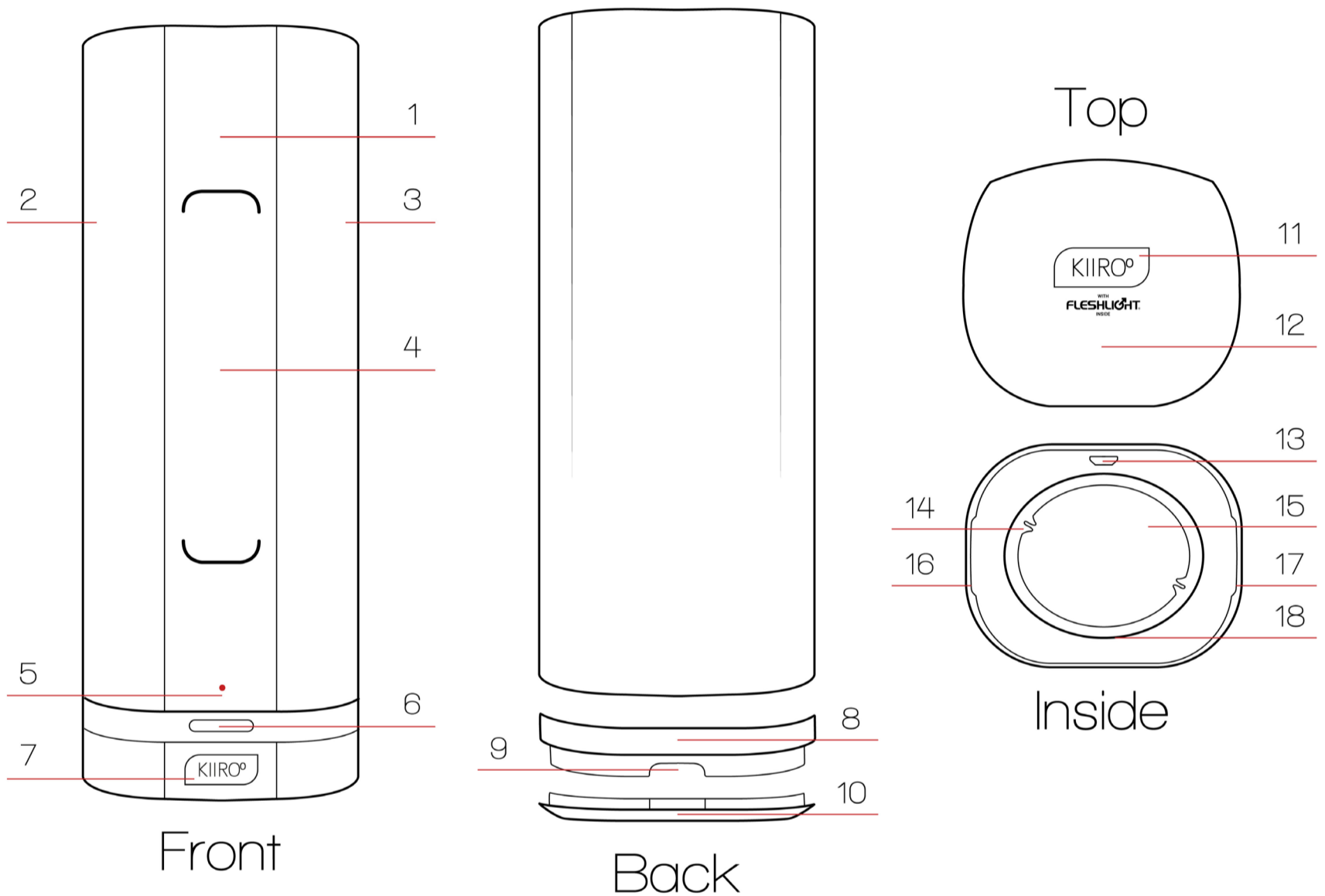
Its sleek, black design is subtle; perfect for gentlemen with refined tastes, and safe to keep in the home or on the move.

The pleasure core inside is host to a Fleshlight® sleeve, from the #1 selling male masturbator, creating the most realistic experience of online intimacy possible.

Onyx also works offline, to enhance foreplay in the bedroom or improve solo masturbation.



PRODUCT



- | | |
|-------------------------|--------------------|
| 1. Motor | 10. Grip Clip |
| 2. Left Side | 11. Top Logo |
| 3. Right Side | 12. Top Surface |
| 4. Touch Pad | 13. Charging Port |
| 5. LED Light | 14. Air Channel |
| 6. Multifunction button | 15. Pleasure Core |
| 7. Front Logo | 16. Left Cap Clip |
| 8. Red Ring | 17. Right Cap Clip |
| 9. Clip Release | 18. Rim |

PREPARATION

Always use lubrication.

The lifespan of your Onyx will be greatly increased with proper maintenance and care.

KIIROO recommends that you use a water-based lubricant with your Onyx. Do not use silicone lubricant, as it could deteriorate the sleeve material. Never use massage oil or hand cream as lubricants.

It is advised to have cleaning materials ready to clear any mess created, such as a towel or tissue.

To apply Fleshlight® sleeve, hold it open in one hand. Take the lubricant in the other hand and apply generously to the center and rim of the sleeve.

Place the sleeve inside the pleasure core and make sure it is resting evenly. Apply the clip grip, ensuring it clicks securely and holds the sleeve in the correct position.

Insert penis slowly, to prevent damage to the sleeve.

(Add more lubricant to penis if necessary)

CHARGING

Before charging, make sure the MicroUSB socket is free from water or lubricant residue. This can be cleaned with an antibacterial cloth.

1. Remove cap, grip clip and internal sleeve before charging.
2. Insert the MicroUSB into Onyx's charging port.
3. Insert the other end into a USB port. This can be a computer or charger (the charger should CE certified according to IEC 60335 norm.) - both will charge the device effectively.
3. Wait for the LED light to pulse slowly. This indicates that Onyx is charging.
4. The LED light will glow solid when Onyx is fully charged.
5. When the battery is low, the LED indicator will prompt you to charge by pulsing again. You have 5 minutes to charge before the battery turns off and disconnects.

Only use original chargers provided by KIIROO.
Do not use the device whilst charging.

USING ONYX

POWER

On / off is controlled by the button on the front of the device.

To turn on, press and hold for 4 seconds. To turn off, press and hold for 4 seconds.

Check the device is charged by pressing the multifunctional button.

A solid red LED indicates good battery, and a fast blinking light indicates battery is low.

BLUETOOTH

To connect with Onyx, your computer must have Bluetooth. If it does not, a Bluetooth dongle is required.

Bluetooth is always active when Onyx is on. When Onyx is turned off, Bluetooth immediately disconnects.

MODES

Onyx has three contraction modes: manual, fast pump and slow pump.

To choose the required mode, repeatedly press the multifunctional button to go through the cycle.

1 - manual

Manual mode - alone

This allows the user to masturbate by swiping the touch pad. No other movements are required.

Manual mode - together

This allows the user to control the movement of another Onyx. To activate, remain in manual mode and log on to the platform. If you swipe up on the touch pad, you have the power. Once it is activated, you can send data to another Onyx and control your own device at the same time. If your partner swipes first, they have the power over both of you.

2 - pump

Fast pump - auto

For an fast pump, press the button once when the device is on. This will activate the fast pump, that contracts at regular intervals. This will repeat the motion for as long as the user requires.

3 - pump

Slow pump - auto

For an slow pump, press the button twice when the device is on. This will activate the slow pump, that contracts at regular intervals. This will repeat the motion for as long as the user requires.

To stop any mode, just press the button to go through the cycle or hold for 4 seconds to turn off.

You can do this as many times as you wish.

Always follow the preparation procedures first, then insert yourself before activating a mode.

HANDLING

Onyx is not a hands-free device. Always have at least one hand on the device to hold it in place, and ensure an optimum experience whilst in use. Two hands is also a possibility for improved stability.

LED INDICATOR

ONYX has a single LED light located near the base of the device. It has three modes:

1. Solid light
Charged and Bluetooth Active
2. Slow blinking
Charging and Bluetooth Disabled
3. Fast blinking
Low battery. (5 mins left)

AFTERCARE

Always clean Onyx's internal Fleshlight® sleeve thoroughly after each use.

Rinse the sleeve with warm water and allow to air dry before placing back in the casing.

If the body, ring or grip clip needs to be cleaned, it can be wiped down with antibacterial cloths.

SAFETY

Avoid leaving your Onyx in direct sunlight and NEVER expose it to extreme heat. Store your device in a dust-free location and keep it away from toys of other materials.

Avoid submerging the device or getting water around the base. This includes the charging port, buttons and pleasure core. It is NOT waterproof.

Never use cleansers containing alcohol, petrol or acetone.
Avoid using harsh soaps as they can damage the sleeve material.
Do not use heating appliances to dry the sleeve or device.

WARNING!

Do NOT use your Onyx if:

- There are exposed electronic elements
- You are in a shower, tub, swimming pool, sauna, steam room etc.
- It is excessively hot to the touch

DISPOSAL

While Onyx is made of eco-conscious materials, you should not dispose of Onyx in your waste bin. Like any electronic with a rechargeable battery, there are disposal regulations. These vary by city and local municipality. Be aware of how electronics are disposed of where you live. KIIR00 suggests to ask at your local council center. Also consider that in your locality, Onyx may be considered bio-waste because of its intimate nature.

SPECIFICATIONS

Materials:	POM, ABS, silicone
Finish:	Matte
Size:	246 x 90 x 80 mm
Weight:	780 grams
Battery:	LIPO 2200 mAh 3.7v 10C
Charging:	3 hours
User time:	1 hour

HELP



How to make an account.

Enter your details in the boxes provided. Tick 'Touch Base with KIIRROO' if you want to receive our newsletter. Select 'GO' to make your account. The next page is your account, where you will find your devices, downloads and personal details.

Where do I find the Authenticity Code?

The Authenticity Code is located at the bottom, on the reverse side of the card supplied in the product box. It is 13 digits long.

I registered the wrong device, how do I cancel it?

Contact our customer support team by email or phone and we will easily remove the incorrect entry.

Which operating systems does kiiroo work on?

The platform works on OSX 10.8 or later, and Windows 7 or later. Previous software does not support the features of the program.

What process do I need to follow to install on my Mac?

Open the file in your downloads. Drag the KIIRROO icon into the applications icon. Next, close the window and eject the Kiiroo disk, which should appear on your desktop. A window for 'unrecognised developer' may appear. A password may be required by the admin to accept and continue.

My device will not pair with my computer's Bluetooth. What do I do now?

Most importantly, the device must be charged and unplugged from the Micro USB cable. The device will only pair with Bluetooth when the platform is running, and ready to go. Open and run the program, then wait for 2 minutes. If it does not pair at all, contact customer support.

What is a dongle?

A dongle is a small USB, capable of sending and receiving Bluetooth signals. It can be plugged into an USB port, to supply the device with a wireless connection.

Where do I buy a Bluetooth dongle?

You can buy a dongle from our website, or any high street electronics store. They cost ~\$20.

Can I use an external webcam?

Yes, any webcam that is properly connected to your computer will work with the platform.

The platform does not appear when I start the program.

This may take up to 2 minutes to load the first time. If it does not load at all, go to APPLICATIONS > UTILITIES > ACTIVITY MONITOR. Find the KIIRROO program and Force Quit. Now, try to start the program again.

The home screen menu does not appear.

Double check your Bluetooth and device are on, and paired properly. If they are not, turn off the platform, device and Bluetooth and start the process again.

I do not know how to send my 6-digit code.

If you have chosen to invite, then you will see a code. This code can be sent to your partner using a reliable contact method such as a phone call, SMS on mobile or email address.

I cannot connect with my partner using the 6-digit code.

First, check your connection with the internet and Bluetooth. If these are not working consistently then this will cause an error. If the connections are poor, turn off the platform and device and start the process again.

Did this answer your question? If not, scroll down to see more options.

If you have any further problems with setup and installation or issues with using your device, do not hesitate to contact our customer service team. Our technical team is there for your support, to explain problems in detail and make your online experience run as smoothly as possible. We try to answer all questions within 48 hours of receiving them. Opening hours are Mon - Fri, 6AM - 8PM CST. Calls cost \$1 per minute.

www.kiiroo.com

KiirooSupport@fleshlight.com

+1 888-961-9919

DISCLAIMER

We, KIIROO, make no medical claims with our devices. Our devices are not to be used by or on minors (anyone under 18), or anyone who is unable or unwilling to express consent. Do not use KIIROO devices on inflamed or irritated areas. Follow all directions as set forth by the manual, and do not attempt to make any technical adjustments to your KIIROO device at home. KIIROO will not be held responsible for any undesirable results of misuse.